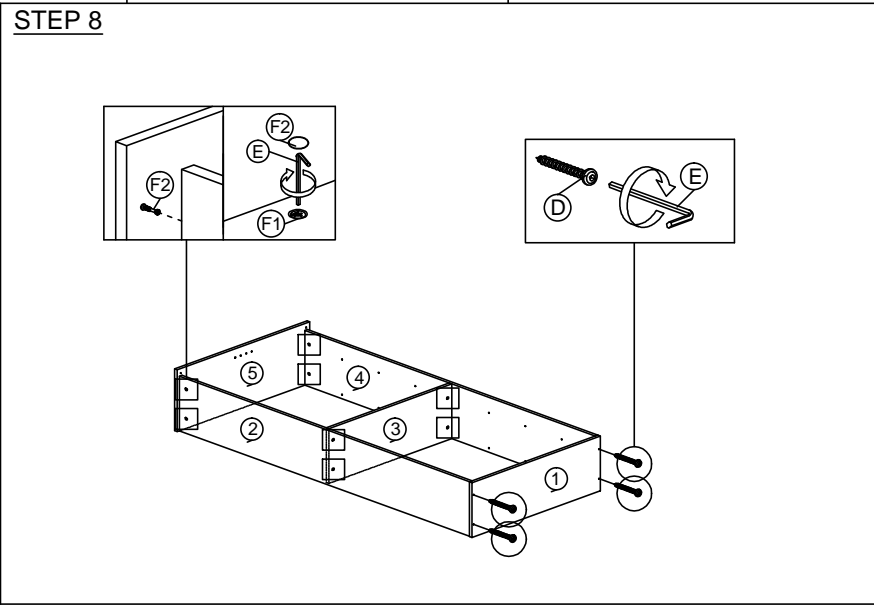
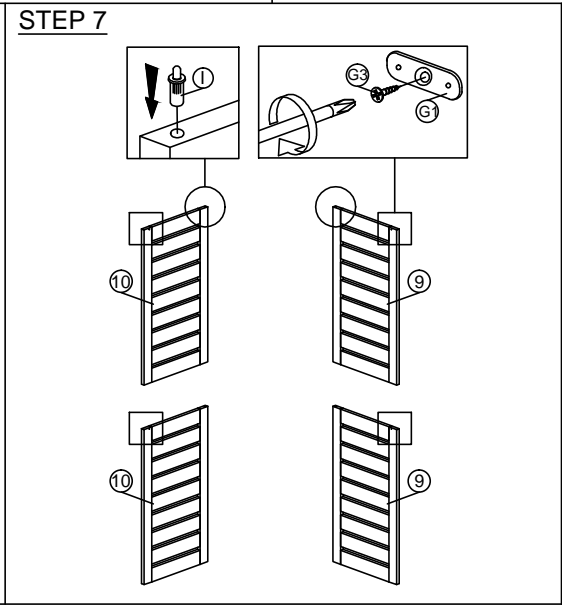
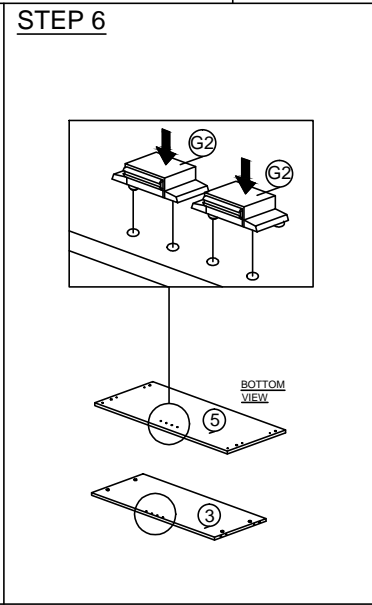
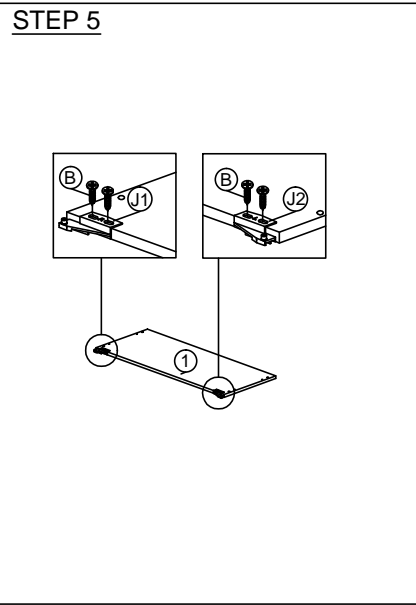
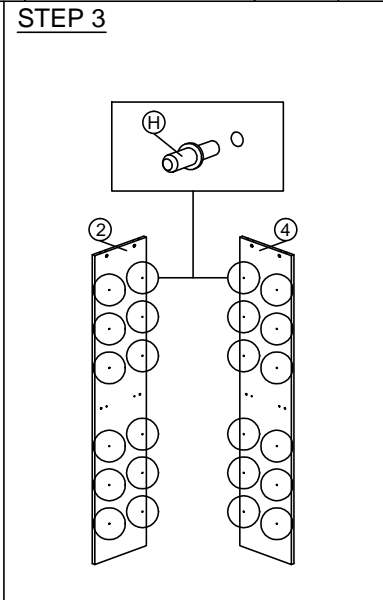
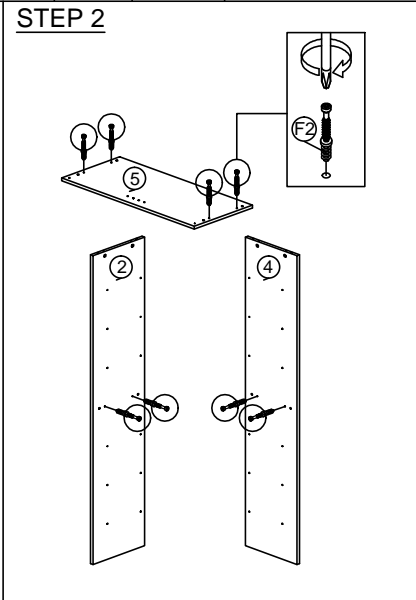
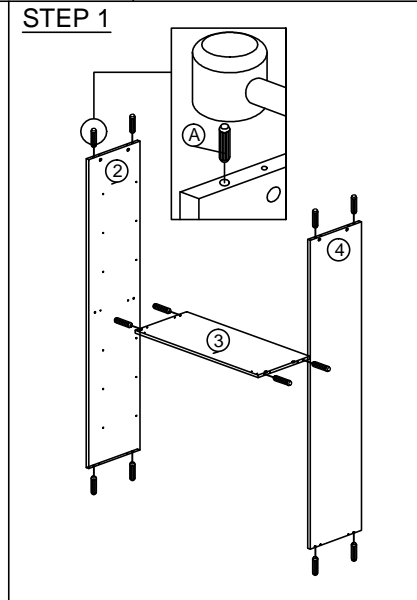
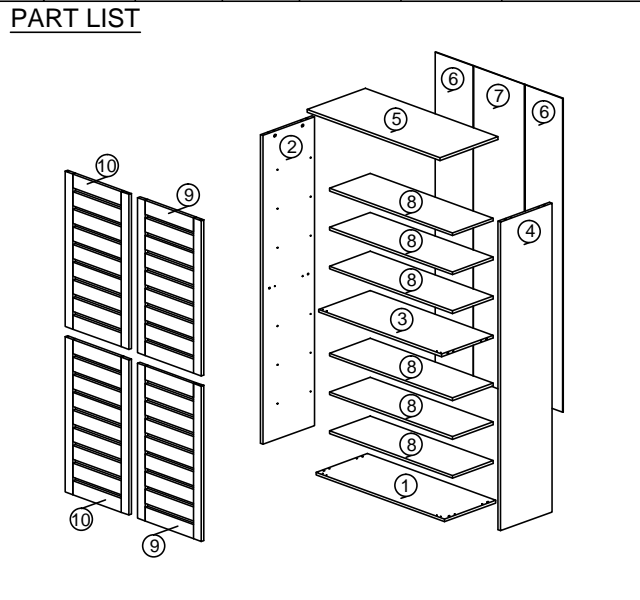


ASSEMBLY INSTRUCTION

MODEL : SC 865515

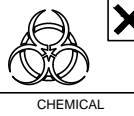
DESCRIPTION : 4 DOORS SHOE CABINET

HARDWARE	A WOOD DOWEL 8 X 25 1X12	B CB SCREW M3.5X16MM 1X24	C NAIL 5/8 1X30	D CSK CAP WOOD M6X50MM 1X4	E L-KEY 1X1	F F1 F2 F3 MINIFIX 5654+5546 8 SETS	G G1 G2 G3 3.5 KG MAGNET (1 HOLE) 4 SETS	H SHELF SUPPORT 1X24	I DOOR SUPPORT SPRING 1X2	J J1 J2 R4 L4 1X1 1X1	K K1 K2 R2 L2 1X1 1X1	L PLASTIC ROUND LEG 1X4
	PART LIST											

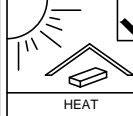




SOFT, DRY CLOTH



CHEMICAL



HEAT



KEEP DRY



HANDLE WITH CARE



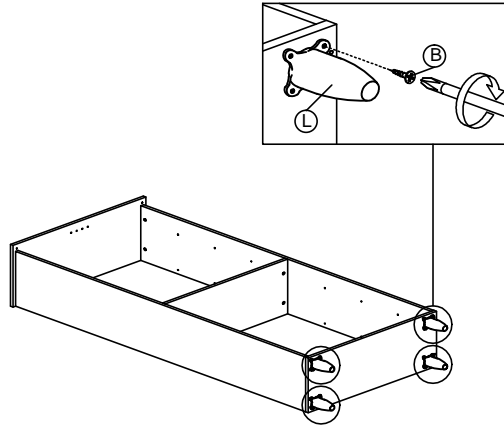
DO NOT USE KNIFE

ASSEMBLY INSTRUCTION

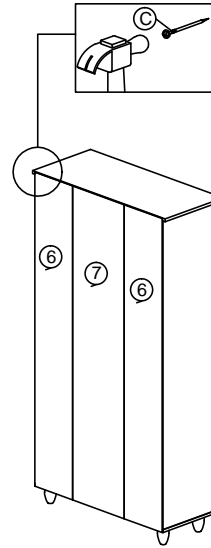
MODEL : SC 865515

DESCRIPTION : 4 DOORS SHOE CABINET

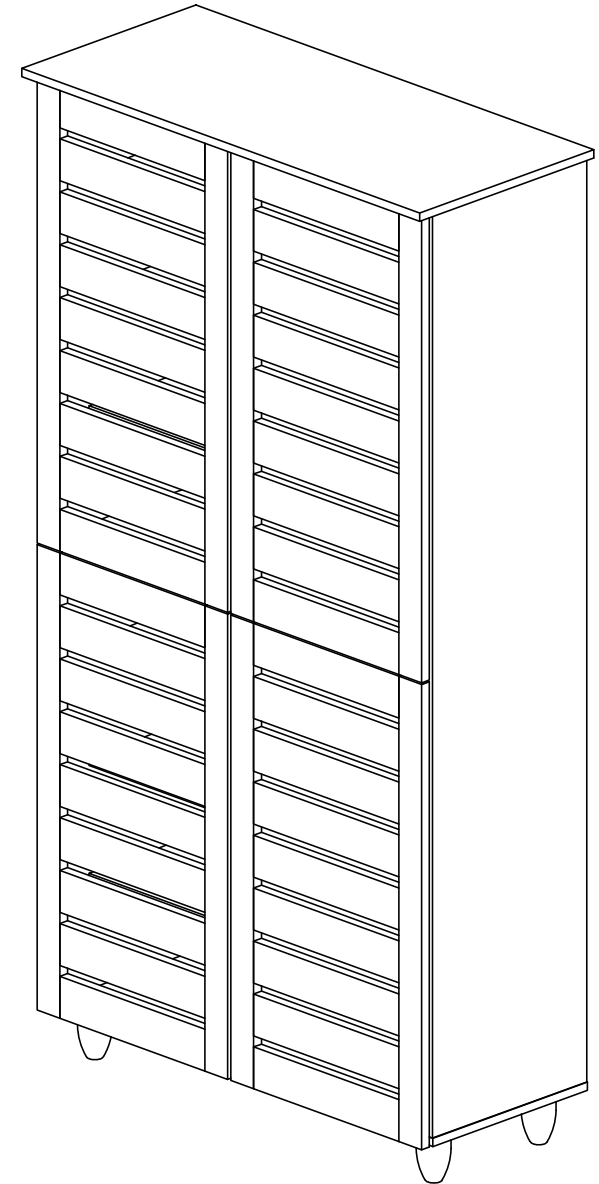
STEP 9



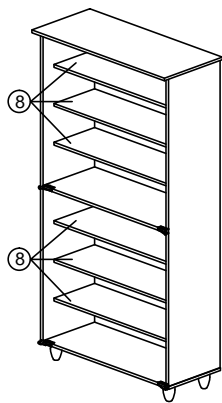
STEP 10



COMPLETED



STEP 11



STEP 12

